

SUPPRESSION DISPERSION NOZZLES

DESCRIPTION

Dispersion nozzles are mounted directly to the agent storage container. These patented “Zero Restriction” nozzles do not add additional flow restrictions. In fact, the total area of the dispersion orifices is twice that of the nozzle inlet. In addition to the standard nozzle, Fike offers a flush-mount, telescoping nozzle for hygienic or abrasive applications.

If product build-up in the nozzle is a concern, Fike offers a non-fragmenting nozzle cover that provides a hermetic seal until the agent is released. Upon release, the nozzle cover bursts, allowing unrestricted flow of the suppressant while containing the nozzle cover so that it does not contaminate the process. An optional “Pop-off” nozzle cover is also available.

FEATURES AND BENEFITS

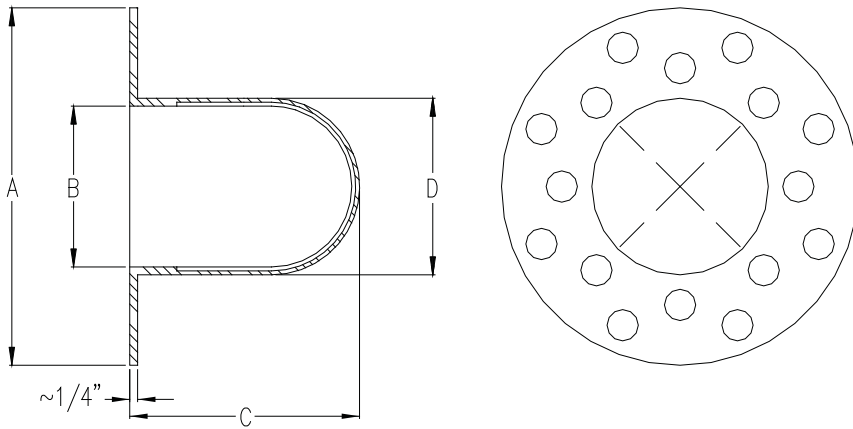
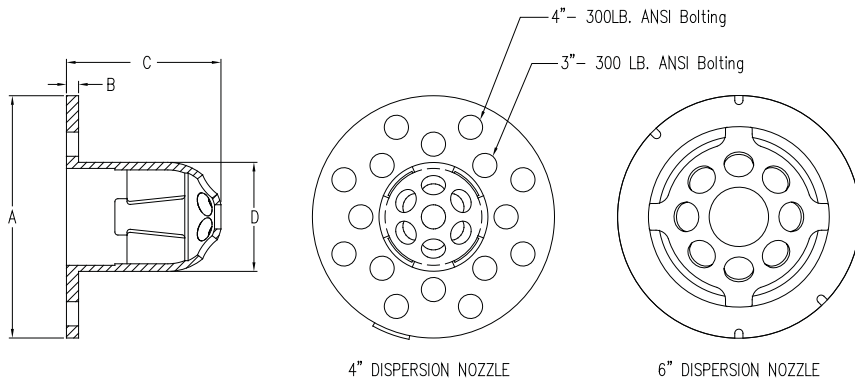
- Zero restriction nozzles
- Standard nozzle covers do not release into process under explosion conditions
- Food Grade/FDA approved materials

SPECIFICATIONS

High Rate Discharge for Chemical Suppression	
Compliance/Approvals:	NFPA 69, Factory Mutual
Materials of Construction:	Nozzle: 304 stainless steel, cast
Full Flange Covers (temp. limits):	Viton (450°F/230°C) Food Grade Neoprene (250°F/120°C)
Elastomer Telescopic Cover:	Silicone (450°F/230°C) Food Grade Neoprene (250°F/120°C) Viton (450°F/230°C) 316 SST Hygienic Hygienic without nozzle
Flush Mount Covers W/O Nozzle:	Food Grade White Neoprene (250°F/120°C) Food Grade White Silicone (450°F/230°C)
50L Covers:	Food Grade White Silicone (450°F/230°C) Food Grade White Neoprene (250°F/120°C) 316 SST Hygienic
Optional Equipment:	Thermal Shield Nozzle for shredder applications
Standard Rate Discharge for Chemical Isolation	
Compliance/Approvals:	NFPA 69, Factory Mutual
Materials of Construction:	Nozzle: 304 Stainless Steel, cast
Nozzle Covers:	Teflon Metal
Optional Equipment:	Flex hose connection

Form No. X.1.27.01

FIKE EXPLOSION SUPPRESSION DISCHARGE NOZZLES AND COVER

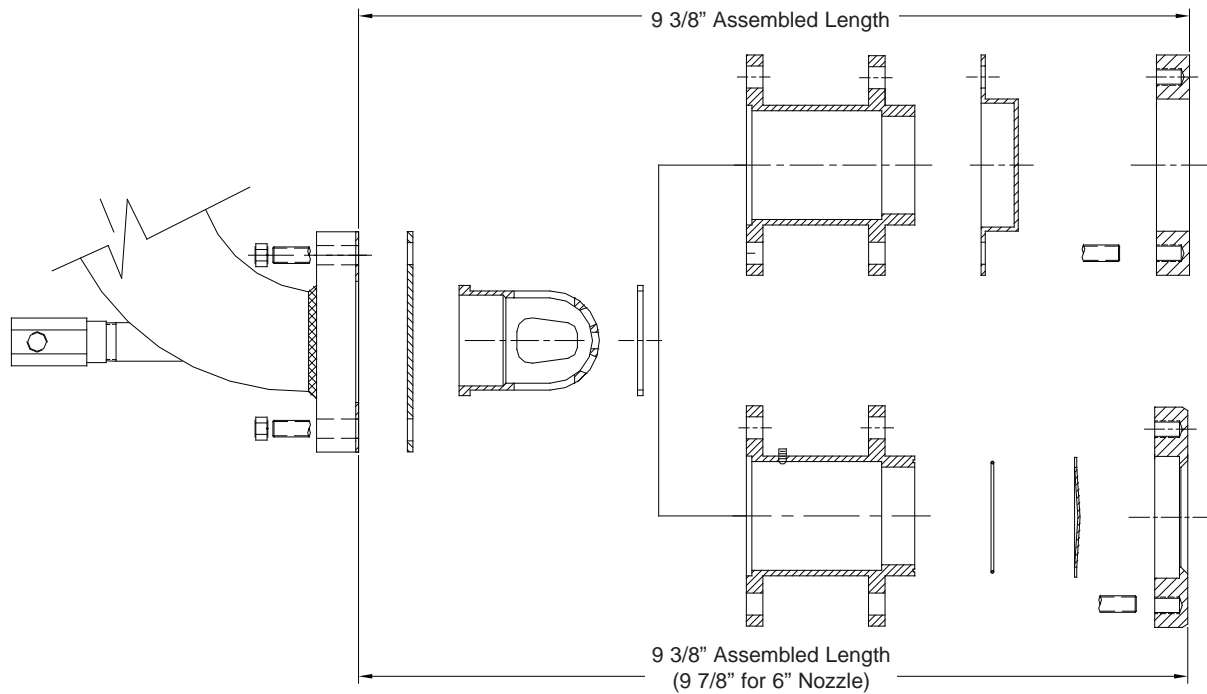


DIMENSIONS

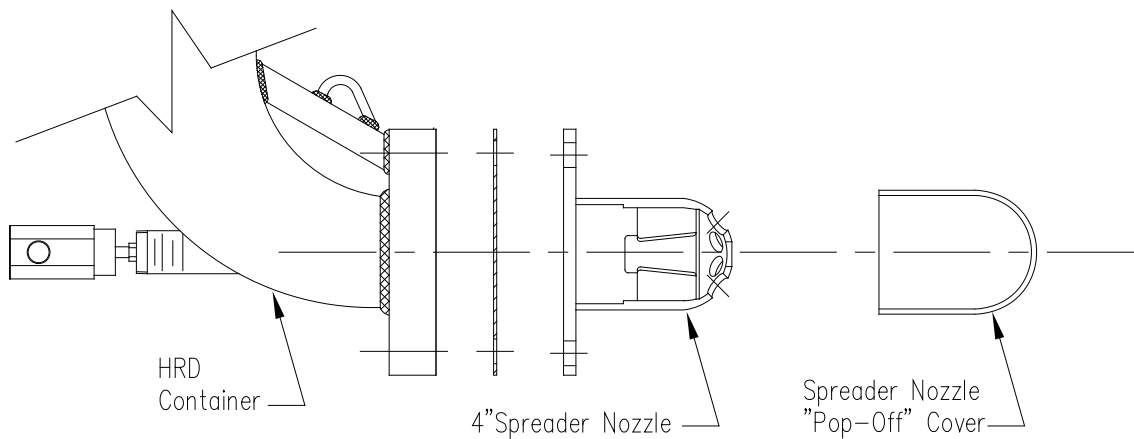
Nozzles				
	A	B	C	D
4"	10"	1/2"	6 1/2"	4 1/2"
6"	9 3/16"	3/4"	7 3/4"	6 7/8"

Nozzle Cover				
	A	B	C	D
4"	10"	4 5/8"	6 1/4"	5"
6"	9 3/16"	7"	7 1/4"	7 7/16"

FLUSH-MOUNT TELESCOPIC NOZZLE ASSEMBLY



HYGIENIC TELESCOPIC NOZZLE ASSEMBLY



"POP-OFF" NOZZLE COVER

