

Omega XP Monitor

STYLE 3528



Product Overview

STYLE 3528

The Akron Brass Omega XP monitor is a 3" cast brass full bore waterway designed to allow for optimal performance in water flow, whilst maintaining a balanced Profile. The monitor is available with either a 3 or 4 " flange inlet and a 2.1/2" threaded male Outlet.

APPLICATIONS

FM Approved



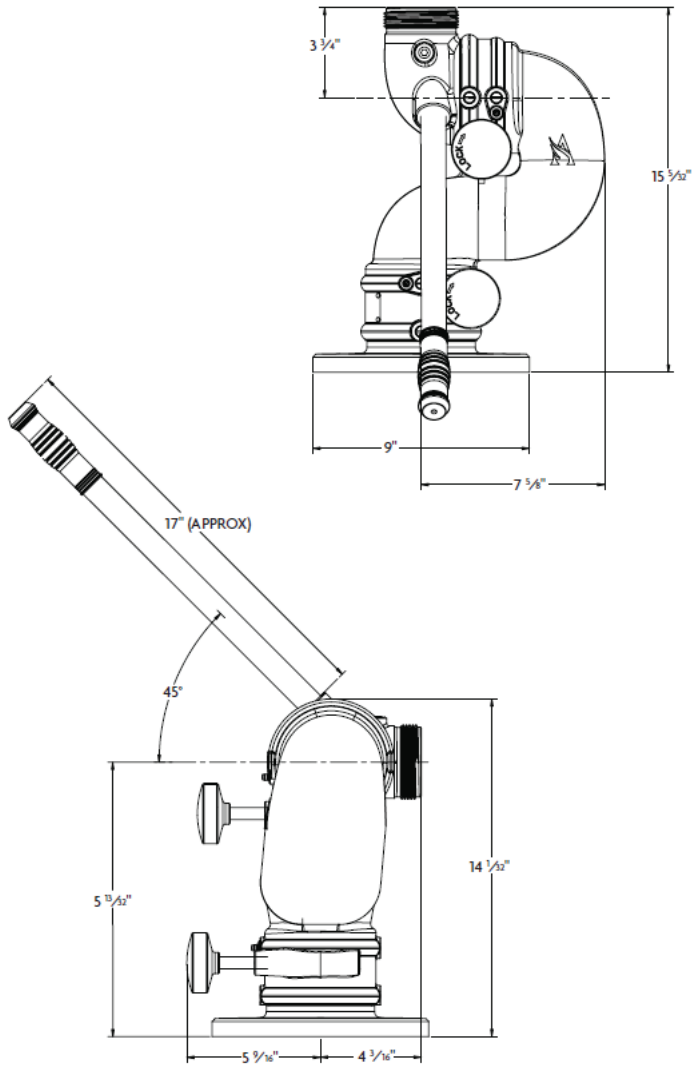
FEATURES & BENEFITS

Omega XP Monitor

- Brass construction for corrosion resistance
- Cast-in turning vanes for more efficient flow
- Unique locking mechanism to hold desired position
- Enhanced design provides for less tip weight which translates to lower handle operating force
- 360° of horizontal movement and 135° of vertical movement
- Operating pressure of 13.78 bar (200 psi)
- Max flow 4,725 lpm (1250 gpm)
- Suitable for Marine Environments

APPLICATIONS

- Petrochemical
- Oil & Gas
- General Commercial Applications
- Vapour Mitigation
- Marine Vessels



SPECIFICATIONS

General

| | |
|-------------|-------------|
| Style | 3528 |
| Weight LBS. | 55* |
| Height | 14" ** |
| Width | 9 3/4" |
| Inlet | 3" or 4" FL |
| Outlet | 2.5" NH |
| Flow GPM | 1250 |
| Flow LPM | 4800 |

* LESS NOZZLE

** LESS HANDLE

