

PROINERT® PNEUMATIC ACTUATOR ASSEMBLY

DESCRIPTION

Each Fike ProInert Cylinder is equipped with a latching Actuator Assembly that actuates the cylinder valve.

The actuator includes a flexible hose that is used to connect it to the next actuator assembly on multiple cylinder systems.



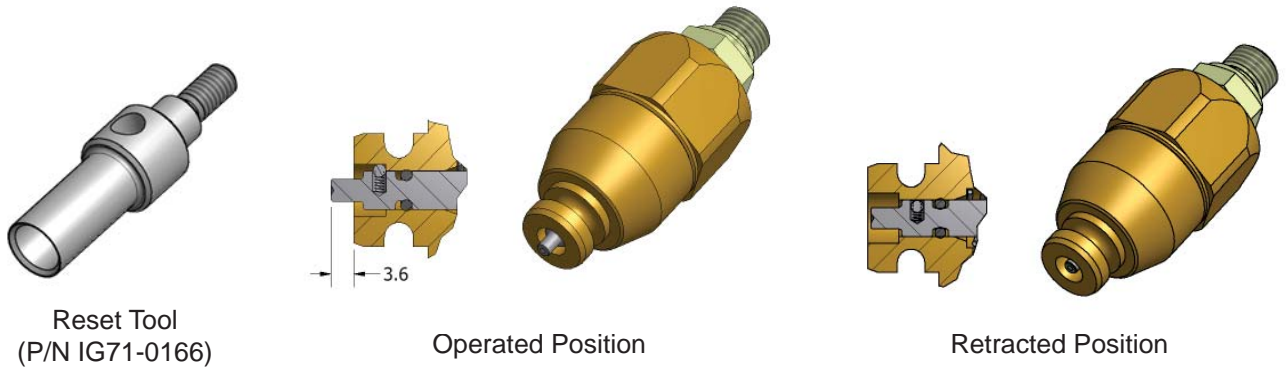
SPECIFICATIONS

| | |
|---------------------|---------------------|
| Part Number: | IG71-002 |
| Operating Pressure: | 22 bar (320 psi) |
| Working Pressure: | 165 bar (2,395 psi) |
| Overall Length: | 475mm (18.75 in) |

INSTALLATION

Prior to inserting of the pneumatic actuator into the valve, ensure that the actuation piston is retracted as shown.

If inspection of the actuator reveals that it has been operated as shown, reset the actuator by depressing the latching ball into its housing with the aid of the reset tool (P/N IG71-0166), this will retract the actuation piston.



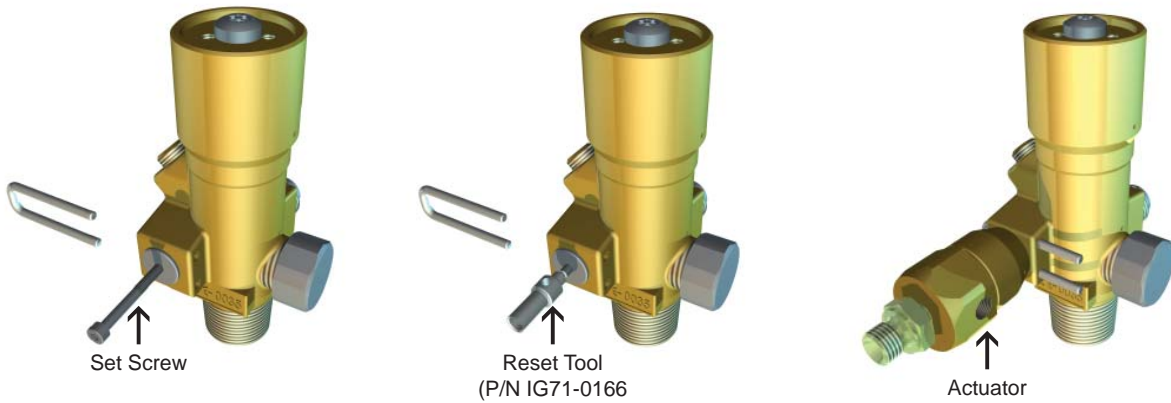
APPROVAL



Certification
Number 654a

Connection of Pneumatic Actuator Assembly to Valve

Remove the plug from the actuation port of the valve with the aid of either the set screw or Actuator Reset Tool (IG71-0166) as shown. Retain the plug for future use when the cylinder has to be re-filled/serviced. Connect the actuator into the valve and secure with either the set screws and locknuts or retaining clip provided.



Copyright © Fike Corporation All Rights Reserved.
Form No. C.2.47.01 December, 2011 Specifications are subject to change without notice.